

東莞永力電業有限公司

YUNG LI CO., LTD

Da Pu Industrial Zone, Gang Zi, Changping Town,
Dong Guan City, Guangdong 523571 China.P.R.C

TEL:0769-83396797~8

FAX:0769-83396796

E-mail: sales@yung-li.com

Description: YP-HCS/YC-1E

Customer: _SY

Parts No. : UT?J?g]

Draw No. :

REVISION RECORD

1		
2		
3		
4		
5		

YUNG LI	
CHECKED	PREPARED BY

CUSTOMER	APPROVED

MARKING: YP-61A YUNG-LI

250³ BS1363/A
MADE IN CHINA

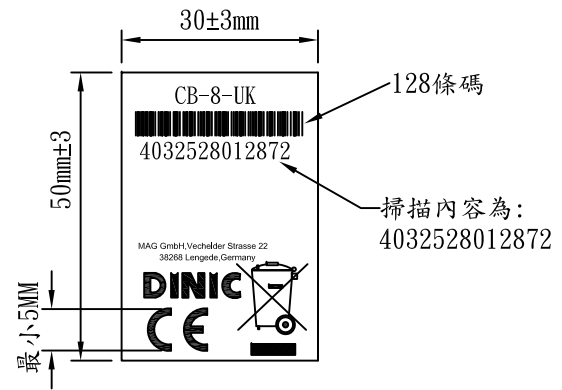
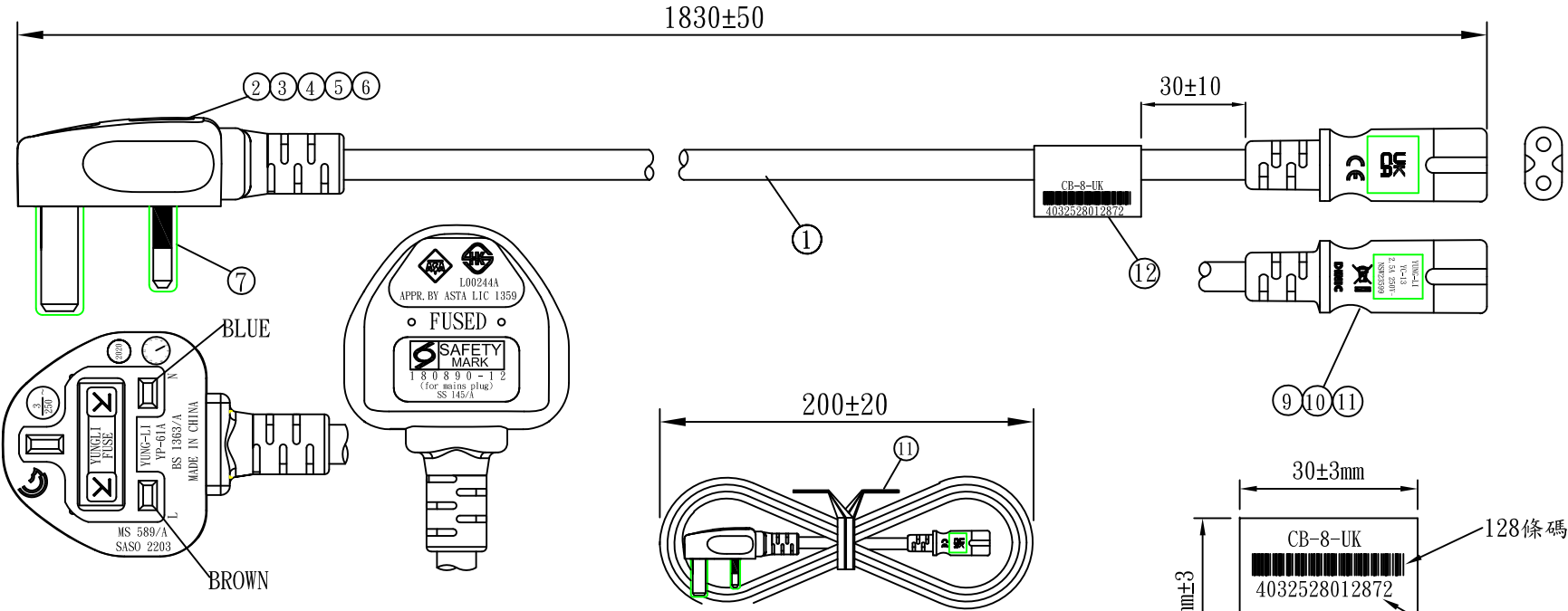
APPR. BY ASTA LIC 1359



SASO 2203 MS 589/A

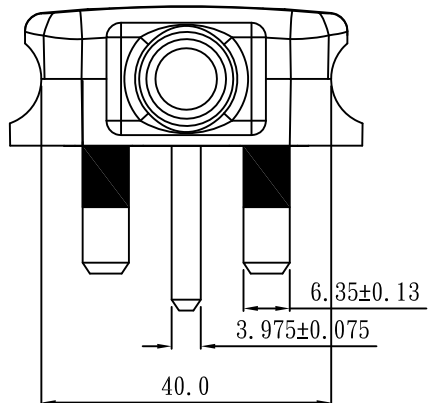
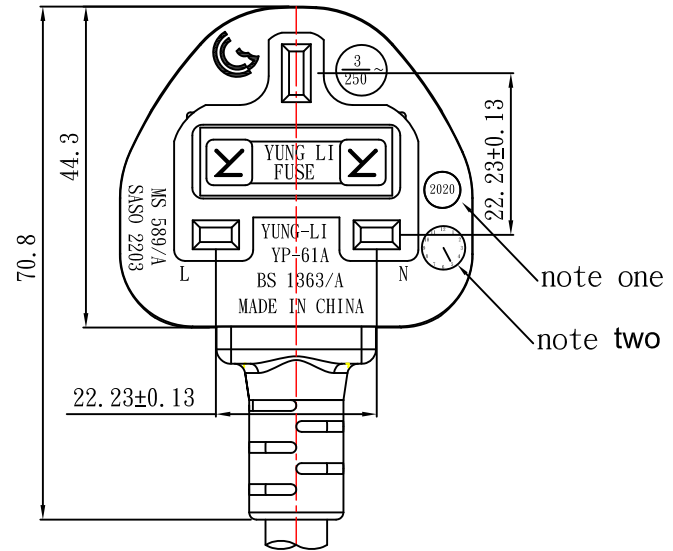
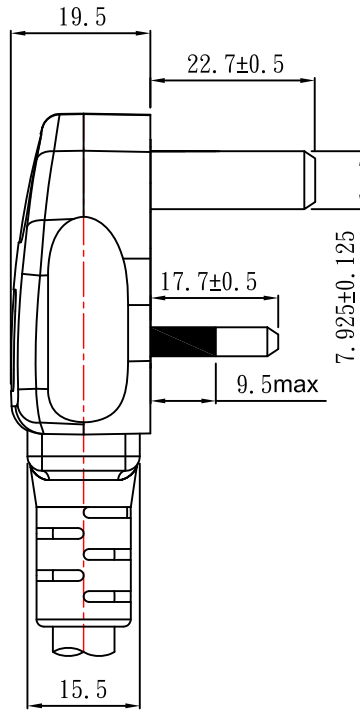
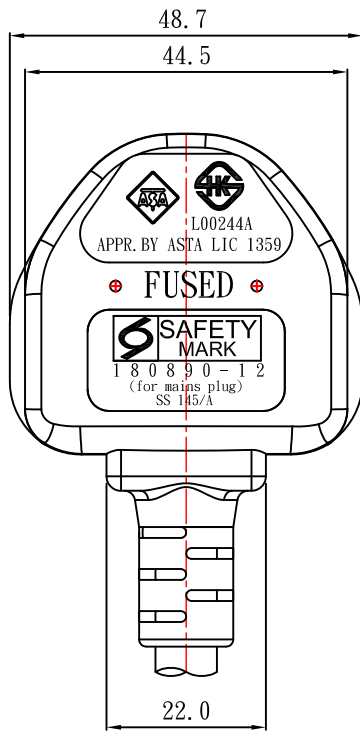


NSW23599



NO.	SPECIFICATION	QTY	REMARK
1	H03VVH2-F 0.75/2C BLACK	1PC	
2	YP-61A PVC PLASTIC:60P BLACK	54g/PC	
3	FRAME:BLACK	1PC	
4	FUSE LID:BLACK	1PC	
5	FRAME LID	1PC	
6	FUSE:3A	1PC	
7	SLEEVE WHITE	1PC	
8	YC-13 H. S. G	1PC	
9	YC-13 TER	2PCS	
10	YC-13 PVC PLASTIC:50P BLACK	9g/PC	
11	MINI TIE:L=130mm BLACK	1PC	
12	LABEL:50X30mm	1PC	

Tolerance >0±0.30 >1.0±0.50 >10.0±1.0 >20.0±2.0 Angle: ±1°	Approved		Date		YUNG LI CO., LTD.			
	Checked		Date					
	Drawn	SUKI	Date	24.03.12	Customer	MAG		
	Cat. No.	YP-61A/YC-13			P/N.	CB-8-UK		
	Drawing No.	CY-B0163-01		Rev.	B	Material	P.V.C	Unit
					Scale			



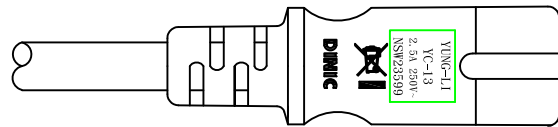
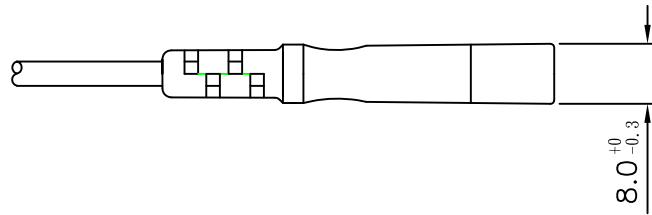
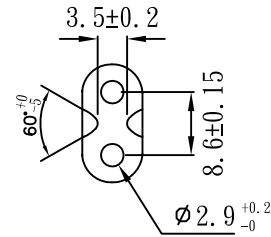
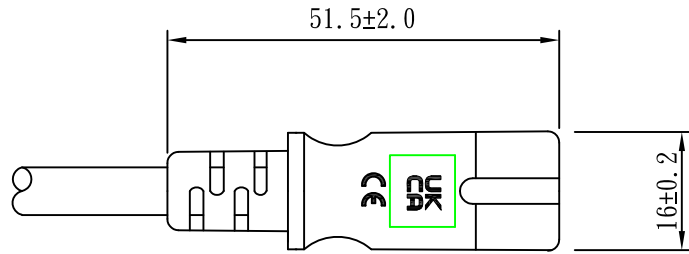
note one: production of year. (must be changed every year)

note two: production of month point (must be changed every month)

TOLERANCE >0±0.30 >1.0±0.50 >10.0±1.0 >20.0±2.0 Angle: ±1°	APPROVED		DATE		YUNG LI CO., LTD			
	CHECKED		DATE					
	DRAWN		DATE		CUSTOMER			
	TYPE	YP-61A			P/N			
	DRAWING NO.		REV	B	SCALE	1:1	UNIT	mm

**UK
CA**

NSW23599



TOLERANCE >0±0.30 >1.0±0.50 >10.0±1.0 >20.0±2.0 Angle: ±1°	APPROVED		DATE		YUNG LI CO., LTD			
	CHECKED		DATE					
	DRAWN		DATE					
	TYPE	YC-13 UKCA			P/N			
DRAWING NO.				MATERIAL	P. V. C	UNIT	mm	
				SCALE	1:1			

YUNG LI CO., LTD

SPECIFICATION

Yung Li	Style	PVC FLEXIBLE CORDS	Document No
2019.04.22			CY-V04034
Edition	Size	H03VVH2-F 2 x 0.75mm²	Page
A			1/2

1. Standard: IEC 227 IEC228

2. Construction & Dimension

	Item	Specification
Conductor	Size	2 x 0.75mm ²
	Material	Annealed Bare Copper
	Construction	67 / ϕ 0.12±0.01
Insulation	Material	PVC
	Minimum Average Thickness	0.50mm
	Minimum Thickness at any point	0.35mm
	Diameter	2.15 ± 0.10
	Identification	Blue,Brown
Core Assembly	Core Twist	2-Core
	Filler	NA
	Assembly Pair	NA
Taping	Mylar Foil	NA
Shielded	A1-Mylar Foil	NA
Drain	Material	NA
	Construction	NA
Jacket	Material	PVC
	Minimum Average Thickness	0.60mm
	Minimum Thickness at any point	0.44mm
	Overall Diameter(Approx)	3.4 ± 0.1/5.6±0.15
	Color	Any Color

Marking:

Yung Li Co., Ltd. H03VVH2-F 2X0.75mm² <VDE> NF-USE 1347 (NF) KEMA-KEUR △CEBEC <OVE>
 (D) (FI) (N) (S) (S) IEMMEQU SAA-190646-EA (CCC) A004049 60227 IEC 52(RVV) 300/300V (K) SU01027-4001

YUNG LI CO., LTD

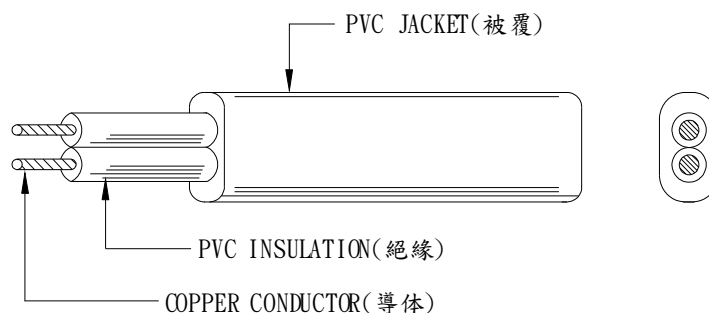
SPECIFICATION

Yung Li	Style	PVC FLEXIBLE CORDS	Document No
2019.04.22			CY-V04034
Edition	Size	H03VVH2-F 2 x 0.75mm²	Page
A			2/2

3. Electrical & Physical Properties

Item	Specification		
Rating Voltage	70°C 300V		
Conductor resistance(AT 20°C)	26.0Ω/Km MAX		
Insulation Resistance(AT 70°C)	0.010MΩ/Km Min		
Dielectric Strength	AC 2.0 KV / 15 min No Break		
Spark Test	5.0KV		
Insulation	Unaged	Tensile Strength	1500 lbs/in ² min
		Elongation	150% Min
	Aged	Tensile Strength	80~120% (80°C x168hrs)
		Elongation	80~120% (80°C x168hrs)
Jacket	Unaged	Tensile Strength	1500 lbs/in ² min
		Elongation	150% Min
	Aged	Tensile Strength	80~120% (80°C x168hrs)
		Elongation	80~120% (80°C x168hrs)
Deformation Test	70±4°C X 1hr ≤ 50%		
Cold Bend Test	-15°C x 4hr No Crack		
Heat Shock Test	150±2°C x 1hr No Crack		

Graph:



ASTA LICENCE

ASTA DIAMOND MARK

Licence No. 1359

Organization: Yung Li Company Limited
Da Pu Industrial Zone
Chang Ping Town
Dongguan City
523571, China

Product: Fused Plug

Designation: YP-61A

Colour(s): All Colours

Characteristics: 250 Volts a.c. 50 Hz, 13 Amperes
Non-rewirable
Rough use (BS1363/A)
Crimped terminations
Solid nickel-plated brass L & N pins
Solid moulded-on construction
Brass E pin, alternatively ISOD

Approval Standard: BS 1363-1: 2016 +A1: 2018

Issue Number: 2

Review Date: 28 February 2028

Factory Reference: LQ-494

R.W. Hayward



8 March 2023

Name

Signature

Date

ASTA Certificates, ASTA Licences and ASTA Test Reports

ASTA Certificates, ASTA Licences and ASTA Test Reports are issued by Intertek for the exclusive use of the party applying for the Certificate, Licence or Test Report and any related testing. Intertek assumes no liability to any parties other than those with which it has an agreement and then only in accordance with the agreed Terms and Conditions.

The Applicant is authorised to copy or distribute ASTA Certificates, ASTA Licences and

ASTA Test Reports provided the entire contents are included, or Certificate Front Sheets accompanied by any associated pages on which are stated the assigned rated characteristics and no part is obscured or illegible, or Licence front sheets. Permission must be obtained from Intertek before any other kind of reproduction is made.

The holder of an ASTA Certificate may claim in Trade Journals, Catalogues, Technical Articles etc., and without the prior approval of Intertek that the product identified in an ASTA Certificate is ASTA Certified.

The holder of an ASTA Licence may claim in Trade Journals, Catalogues, Technical Articles etc., and without the prior approval of Intertek that the product identified in an ASTA Licence is ASTA Approved.

To minimise the possibility of any misunderstanding such claims must clearly identify the product(s) certified or approved, the ratings verified by ASTA and the Standard against which certification/approval has been made.

Any other use of the Intertek or ASTA names must first be approved in writing by Intertek. Test results and ratings proven by testing included in ASTA Certificates and ASTA Test Reports relate specifically to the sample(s) tested.

Types of ASTA Certificates

Certificates are issued when samples of a particular product design have been tested satisfactorily against the requirements of a National, European, International or ASTA Standard. Several forms of Certificate are available, including:

Certificate of Complete Compliance

Verifies compliance with all the requirements of a Standard

Certificate of Type/Verification Tests

Verifies complete series of type/verification tests prescribed in a Standard has been made successfully.

Certificate of Selected Type/Verification Tests

Verifies specified type/verification tests have been made successfully

Supplementary Certificate

Extends the scope of an existing Certificate to cover changes in rating or in design

ASTA Test Report

An ASTA Test Report is issued when tests otherwise satisfactory cannot be included in a Certificate for one or more reasons, e.g. verification of non-standard ratings

ASTA Licences and ASTA Diamond Mark

The use of the ASTA Diamond Mark on products is authorised by an ASTA Licence. Products covered by an ASTA Licence can be referred to as ASTA Approved. Requirements for ASTA Licences include testing for full compliance with relevant standards and satisfactory, on-going assessment of production. Validity and use of ASTA Licences are subject to compliance with Intertek Certification Regulations.

For more information see <https://www.intertek.com/auditing/certification-regulations-uk/>

Authenticity

Authenticity of any ASTA document can be confirmed by contacting Intertek

Email: asta@intertek.com, Tel: +44 116 296 2900

CERTIFICATE OF CONFORMITY (COC)

To: GLA (RS code)
Global Approvals Pte Ltd
108 Bedok Reservoir Road
#02-320
Singapore 470108

Attn: Mr Andrew Lin

Date of certification : 15 August 2018
Date of re-certification : 12 May 2021
Date of expiry : 14 August 2024
Certificate number : 180890-12

Dear Sir/Madam,

We certify that the following controlled goods complied with the Mandatory requirements of the Singapore Consumer Protection (Safety Requirements) Registration Scheme:

Description of controlled goods: 13A non-rewireable fused plug with cable

Trade name: YUNG-LI

Model number: YP-61A

Country where the product is likely to be manufactured: China

Test report number: 180621127GZU-001

Testing laboratory: Intertek Testing Services Shenzhen Ltd. Guangzhou Branch

Tested according to: SS 145: Part 1: 2010

Ong Keng Chuan

Intertek Testing Services (Singapore) Pte Ltd

Important Note:

No controlled goods can be supplied in Singapore unless they are registered with the Safety Authority. Please access www.cpsa.enterprisesg.gov.sg/ for registration procedure.

Gulf Type Examination Certificate


Type Certificate Number: CN-GSOG-20180667R2

Certificate Expiry Date: 24 October 2024

See Certificate Revision / Renewal History in Annex 1

Notified Body 0012 certifies that this Electrical Equipment has been found to comply with the essential requirements of the safety objectives and the requirements of the electromagnetic compatibility of the Gulf Technical Regulation on Low Voltage Electrical Equipment and Appliances BD-142004-01 list (2) subjected to the Conformity Assessment Procedure set out in Annex (4).

Applicant:	YUNG LI CO., LTD. Da Pu Industrial Zone, Chang Ping Town, Dong Guan City, Guangdong, China
Manufacturer:	Same as Applicant
Manufacturing Location:	YUNG LI CO., LTD. Da Pu Industrial Zone, Chang Ping Town, Dong Guan City, Guangdong, China
Country of Origin:	P.R. China
Product:	Non-rewirable fused plug
Brand:	YUNG-LI
Model / Type Ref:	YP-61A
Technical Data / Ratings:	Colour(s): all color; Solid brass L, N & E pins and alternatively ISOD; Solid moulded-on constructions; Crimped terminations. Max.13A, 250V~ Product Dimensions: L W H: 5x4x7 cm
Product Complies with Standards:	BS 1363-1:2016+A1:2018, SASO 2203:2018.
Evaluation or Test Report(s)	180621129GZU-001: 21 August 2018, 200615176GZU-001: 23 June 2020.
National Deviations Checked:	Kingdom of Saudi Arabia, United Arab Emirates, Sultanate of Oman, Kingdom of Bahrain, State of Qatar, State of Kuwait, Republic of Yemen. Type and shape of the plug: G.
Limitations:	None
Issuing Notified Body No:	0012


Signature
Win Qiu
Certification Officer
Issue Date: 17 June 2021



This certificate:

- applies only to the product(s) submitted and as detailed in the Technical Construction File (TCF).
- does not imply that the Notified Body has performed any surveillance or control of the manufacture(s).
- replaces certificate CN-GSOG-20180667R1 dated 06 August 2020. The new certificate has been issued due to: 3-year renewal.
- See Certificate Revision / Renewal History in Annex 1.

This Certificate is for the exclusive use of Intertek's client and is provided pursuant to the agreement between Intertek and its Client. Intertek's responsibility and liability are limited to the terms and conditions of the agreement. Intertek assumes no liability to any party, other than to the Client in accordance with the agreement, for any loss, expense or damage occasioned by the use of this Certificate. Only the Client is authorized to permit copying or distribution of this Certificate. Any use of the Intertek name or one of its marks for the sale or advertisement of the tested material, product or service must first be approved in writing by Intertek. The observations and test/inspection results referenced in this Certificate are relevant only to the sample tested/inspected. This Certificate by itself does not imply that the material, product, or service is or has ever been under an Intertek certification program.

LESEN PENSIJILAN BARANGAN

Product Certification Licence



SIRIM QAS International Sdn. Bhd. dengan ini menganugerahkan kepada
SIRIM QAS International Sdn. Bhd. hereby grants to

**ZUFENG MARKETING
NO. 45-2, JALAN TIARA 2B
BANDAR BARU KLANG
41150 KLANG
SELANGOR, MALAYSIA**

Lesen untuk menggunakan Tanda Pensijilan di atas barangan
a licence to use the Certification Mark on

FUSED PLUGS

Please refer to detail in the SCHEDULE

sebagai mematuhi keperluan
as complying with

MS 589-1 : 2018



Nur Fadhilah binti Muhammad
Ketua Pegawai Eksekutif
Chief Executive Officer
SIRIM QAS International Sdn. Bhd.





中国认可
产品
PRODUCT
CNAS C082-P

香港認證中心

The Hong Kong Certification Centre Ltd

HONG KONG SAFETY MARK LICENSE

License Number : L00244A

Date of Issue : 2023-07-01

Issued To: Yung Li Co. Ltd
Da Pu Industrial Zone
Gangzi Chang Ping Town
Dongguan City Guangdong
China

Manufacturer: Yung Li Co. Ltd
Da Pu Industrial Zone
Gangzi Chang Ping Town
Dongguan City Guangdong
China

This is to certify that the products listed below are eligible to bear the Hong Kong Safety Mark subject to compliance of annual surveillance of factory inspection.

Issued By : Richard Fung
Managing Director



For and on behalf of
The Hong Kong Certification Centre Limited

Product Category

Wiring Accessories

Product Description

Non-rewirable fused plug molded on power cord

Type/Models

[Brand Name : Yung Li]
YP-61A

Applicable Standard(s) / Requirements

BS1363-1:2016 - 13A Plugs, socket-outlets, adaptors and connection units – Part 1:
+A1:2018 Specification for rewirable and non-rewirable 13A fused plugs

Certification report: L00244-3

*Product certification system is Type 5 as defined in ISO/IEC 17067:2013.
The use of this License is governed by the HKCC Regulations for Product Certification and any other requirement and Regulations accompanying this License when issued, as amended from time to time.*

This License is the property of The Hong Kong Certification Centre Limited and must be returned upon request.

Original Certification: 2005-04-29

Expiry: 2026-06-30

HKSM Certification Scheme: CC/SCH/008 Rev 1

Unit B, 10/F., Block 1, Tai Ping Industrial Centre, No. 57 Ting Kok Road, Tai Po, N.T., Hong Kong

香港新界大埔汀角路57號太平工業中心第一座10樓B室

Tel / 電話: (852) 2661 2083

Fax / 傳真: (852) 2661 3181

Email / 電郵: hkcc@hk-cc.hk

Homepage / 網址: www.hk-cc.hk

Test Verification of Conformity

Verification Number: 180731117GZU-001VOC

On the basis of the tests undertaken, the sample<s> of the below product have been found to comply with the requirements of the referenced specification<s>/standard<s> at the time the tests were carried out. This verification is part of the full test report<s> and should be read in conjunction with it <them>.

Applicant Name & Address:	Yung Li Co.Ltd. Da Pu Industrial Zone,Gangzi Chang Ping Town,Dongguan City,Guangdong,China
Product Description:	Non-rewirable fused plug
Ratings & Principle Characteristics:	250V ~ , Max 13A
Models/Type References:	YP-61A
Brand Name<s>:	YUNG-LI
Specification<s>/ Standard<s>:	SASO 2203:2018/ PLUGS AND SOCKET-OUTLETS FOR HOUSEHOLD AND SIMILAR PURPOSES SAFETY REQUIREMENTS AND TEST METHODS 250 V/13 A
Verification Issuing Office Name & Address:	Intertek Testing Services Shenzhen Ltd. Guangzhou Branch Block E, No.7-2 Guang Dong software Science Park, Caipin Road, Guangzhou Science City, GETDD, Guangzhou, China
Test Report Number<s>:	180731117GZU-001: Sep. 07, 2018



Signature

Name: Hunter Chu
Position: Supervisor
Date: Sep. 12, 2018

This Verification is for the exclusive use of Intertek's client and is provided pursuant to the agreement between Intertek and its Client. Intertek's responsibility and liability are limited to the terms and conditions of the agreement. Intertek assumes no liability to any party, other than to the Client in accordance with the agreement, for any loss, expense or damage occasioned by the use of this Verification. Only the Client is authorized to permit copying or distribution of this Verification. Any use of the Intertek name or one of its marks for the sale or advertisement of the tested material, product or service must first be approved in writing by Intertek. The observations and test/inspection results referenced in this Verification are relevant only to the sample tested/inspected. This Verification by itself does not imply that the material, product, or service is or has ever been under an Intertek certification program.

ZEICHENGENEHMIGUNG MARKS APPROVAL

Yung-Li Co. Ltd.
Da Pu Industrial Zone, Cang Zi
Chang Ping Town
523571 DONG GUAN CITY
Guangdong
CHINA

ist berechtigt, für ihr Produkt /
is authorized to use for their product

Gerätesteckdose, nicht-wiederanschließbar
Connector, non-rewirable

die hier abgebildeten markenrechtlich geschützten Zeichen
für die ab Blatt 2 aufgeführten Typen zu benutzen /
the legally protected Marks as shown below for the types referred to on page 2 ff.



Geprüft und zertifiziert nach /
Tested and certified according to

DIN EN 60320-1 (VDE 0625-1):2016-04; EN 60320-1:2015+AC:2016
DIN EN 60320-3 (VDE 0625-3):2015-11; EN 60320-3:2014
IEC 60320-1:2015
IEC 60320-3:2014



Aktenzeichen: 1609800-1550-0005 / 232749

File ref.:

Ausweis-Nr. 40029072

Blatt 1

Certificate No.

Page

Weitere Bedingungen siehe Rückseite und Folgeblätter /
further conditions see overleaf and following pages

Offenbach, 2010-01-08

(letzte Änderung/updated 2017-10-19)

VDE Prüf- und Zertifizierungsinstitut GmbH
VDE Testing and Certification Institute
Zertifizierungsstelle / Certification

R. Nickel

VDE Zertifikate sind nur gültig bei Veröffentlichung unter:
VDE certificates are valid only when published on:

<http://www.vde.com/zertifikat>
<http://www.vde.com/certificate>

Name und Sitz des Genehmigungs-Inhabers / *Name and registered seat of the Certificate holder*

Yung-Li Co. Ltd., Da Pu Industrial Zone, Cang Zi, Chang Ping Town, 523571 DONG GUAN CITY, Guangdong, CHINA

Aktenzeichen / *File ref.*

1609800-1550-0005 / 232749 / CC1 / E

letzte Änderung / *updated*

2017-10-19

Datum / *Date*

2010-01-08

Dieses Blatt gilt nur in Verbindung mit Blatt 1 des Zeichengenehmigungsausweises Nr. 40029072.

This supplement is only valid in conjunction with page 1 of the Certificate No. 40029072.

Gerätesteckdose, nicht-wiederanschließbar *Connector, non-rewirable*

Typ(en) / *Type(s)*

- 1) YC-13
- 2) YC-13L
- 3) YC-13D

Bemessungsspannung
Rated voltage

AC 250 V

Bemessungsstrom
Rated current

2,5 A

Polzahl
Number of poles

2-polig ohne Schutzkontakt
2-pole without earthing contact

Bauart
Kind of construction

Normblatt C7
standard sheet C7

Ausführung(en)
Construction(s)

zentrale Leitungseinführung
straight cable entry
Für / *for* 1)

abgewinkelte Leitungseinführung
angled cable entry
Für / *for* 2), 3)

Warenzeicheninhaber
Trademark holder

Yung-Li Co. Ltd.

Anmerkung(en)

Gerätesteckdosen ohne Schutzkontakt müssen Teil einer Geräteanschlußleitung oder einer Weiterverbindungs-Geräteanschlußleitung sein

Remark(s)

Connectors without earthing contact shall be part of a cord set or interconnection cord set

Produktinformation
Product information

siehe Anlage Nr. 300 + 700 + 900 vom 2017-10-19
see Appendix No. 300 + 700 + 900 dated 2017-10-19

Fortsetzung siehe Blatt 3 /
continued on page 3

VDE Prüf- und Zertifizierungsinstitut Zeichengenehmigung

Ausweis-Nr. / Blatt /
Certificate No. / Page
40029072 3

Name und Sitz des Genehmigungs-Inhabers / *Name and registered seat of the Certificate holder*

Yung-Li Co. Ltd., Da Pu Industrial Zone, Cang Zi, Chang Ping Town, 523571 DONG GUAN CITY, Guangdong, CHINA

Aktenzeichen / *File ref.*

1609800-1550-0005 / 232749 / CC1 / E

letzte Änderung / *updated*

2017-10-19

Datum / *Date*

2010-01-08

Dieses Blatt gilt nur in Verbindung mit Blatt 1 des Zeichengenehmigungsausweises Nr. 40029072.

This supplement is only valid in conjunction with page 1 of the Certificate No. 40029072.

Dieser Zeichengenehmigungs-Ausweis bildet eine Grundlage für die EG-Konformitätserklärung und CE-Kennzeichnung durch den Hersteller oder dessen Bevollmächtigten und bescheinigt die Konformität mit den grundlegenden Schutzanforderungen der **EG-Niederspannungsrichtlinie 2014/35/EU**.

*This Marks Approval is a basis for the EC Declaration of Conformity and the CE Marking by the manufacturer or his agent and proves the conformity with the essential safety requirements of the **EC Low-Voltage Directive 2014/35/EU**.*

VDE Prüf- und Zertifizierungsinstitut GmbH

VDE Testing and Certification Institute

Fachgebiet CC1

Section CC1

VDE Prüf- und Zertifizierungsinstitut Zeichengenehmigung

Ausweis-Nr. / Beiblatt /
Certificate No. Supplement
40029072

Name und Sitz des Genehmigungs-Inhabers / *Name and registered seat of the Certificate holder*

Yung-Li Co. Ltd., Da Pu Industrial Zone, Cang Zi, Chang Ping Town, 523571 DONG GUAN CITY, Guangdong, CHINA

Aktenzeichen / *File ref.*

1609800-1550-0005 / 232749 / CC1 / E

letzte Änderung / *updated*

2017-10-19

Datum / *Date*

2010-01-08

Dieses Beiblatt ist Bestandteil des Zeichengenehmigungsausweises Nr. 40029072.

This supplement is part of the Certificate No. 40029072.

Gerätesteckdose, nicht-wiederanschließbar *Connector, non-rewirable*

Fertigungsstätte(n)

Place(s) of manufacture

Referenz/*Reference*
30008928

Yung-Li Co. Ltd.
Da Pu Industrial Zone, Cang Zi
Chang Ping Town
523571 DONG GUAN CITY
Guangdong
CHINA

VDE Prüf- und Zertifizierungsinstitut GmbH
VDE Testing and Certification Institute
Fachgebiet CC1
Section CC1



VDE Prüf- und Zertifizierungsinstitut Zeichengenehmigung

Name und Sitz des Genehmigungs-Inhabers / Name and registered seat of the Certificate holder

Yung-Li Co. Ltd., Da Pu Industrial Zone, Cang Zi Chang Ping Town, 523571 DONG GUAN CITY, CN China

Dieses Blatt gilt nur in Verbindung mit Blatt 1 des Zeichengenehmigungsausweises Nr. 40029072.

This supplement is only valid in conjunction with page 1 of the Certificate No. 40029072

Rubrik / Rubric

341

Aktenzeichen / File ref.

1609800-1550-0005/232749/CC1/E

Ausweis-Nr. /
Certificate No.

40029072

letzte Änderung / updated

2017-10-19

Anlage /
Appendix

700

Datum / Date

2010-01-08

Gerätesteckdose, nicht-wiederanschließbar
Connector, non-rewirable

2-polig ohne Schutzkontakt
2-pole without earthing contact

Fertigungsstätte
Place of manufacture:

3008928

Kennzeichnung
Identification

		X Δ genehmigte Ausführung / approved version											--- Δ nicht genehmigt / not approved								
Typ(en) Type(s)	Leitungsaufdruck Marking on cable	H03VVH2-F 2x 0,5 mm ² (max. 2 m)	H03VVH2-F 2x 0,75 mm ²	H05VVH2-F 2x 0,75 mm ²	H05VVH2-F 2x 1,0 mm ²	H03VV-F 2x 0,5 mm ² (max. 2 m)	H03VV-F 2x 0,75 mm ²	H05VV-F 2x 0,75 mm ²	H05VV-F 2x 1,0 mm ²	H05RR-F 2x 0,75 mm ²	H05RN-F 2x 0,75 mm ²	H03V2V2H2-F 2x 0,75 mm ²	H05V2V2H2-F 2x 0,75 mm ²	H03V2V2-F 2x 0,75 mm ²	H05V2V2-F 2x 0,75 mm ²						
YC-13	Yung Li Co., Ltd.	--	X	X	--	--	X	X	--	--	--	X	X	X	X	--	--	--	--	--	--
YC-13D	Yung Li Co., Ltd.	--	X	X	--	--	X	X	--	--	--	X	X	X	X	--	--	--	--	--	--
YC-13L	Yung Li Co., Ltd.	--	X	X	--	--	X	X	--	--	--	X	X	X	X	--	--	--	--	--	--





Vkan Certification & Testing Co., Ltd.

Verification of Compliance

No. UKCA21-0005

Applicant:

Yung-Li Co. Ltd.

Da Pu Industrial Zone, Gang Zi Chang Ping Town,
523571, Dongguan City, Guangdong, CHINA

Product/Material:

**Connector for 2,5A/250V for use in class
II equipment in cold conditions**

Trade Mark:

—

Model/Type:

YC-13, YC-13D, YC-13L

Rated Specification:

See Appendix

**Regulation(s)
Complied with:**

Appliance couplers for household and similar general
purposes – Part 1:General requirements

Tested According to:

BS EN 60320-1:2015

**Referred to the
Technical Report:**

UKCA2021-0006

This verification of compliance is based on an evaluation of a tested sample of the product mentioned above. It does not imply assessment of series-production of the product. The applicant should hold the whole technical report at the disposal of the competent authority.

Provided it is also in conformity with any other UK regulations, the manufacturer or its authorized representative should draw up a UK Declaration of Conformity and affix the UKCA mark shown below to each conforming product.



中国认可
国际互认
检测
TESTING
CNAS L0006



Signed by

Xie Haojiang

Date of Issue: Mar. 3rd, 2021

Vkan Certification & Testing Co., Ltd.

No. 3, Tiantaiyi Road, Kaitai Avenue, Science City, Guangzhou, 510663, P. R. China

Tel.: +86-20-32293888, Fax: +86-20-32293889 E-mail: office@cvc.org.cn

www.cvc.org.cn

LTC-C-0041-UKCA-G0



Verification of Compliance

APPENDIX to C.O.C No. UKCA21-0005

Rated Specification:

YC-13 2,5A 250V~ (provided with H03VVH2-F 2×0,75mm²,
H05VVH2-F 2×0,75mm², H03VV-F 2×0,75mm²,
H05VV-F 2×0,75mm², H03V2V2-F 2×0,75mm²,
H05V2V2-F 2×0,75mm², H05V2V2H2-F 2×0,75mm²,
H03V2V2H2-F 2×0,75mm²),

YC-13D 2,5A 250V~ (provided with H03VVH2-F 2×0,75mm²,
H05VVH2-F 2×0,75mm², H03VV-F 2×0,75mm²,
H05VV-F 2×0,75mm², H03V2V2-F 2×0,75mm²,
H05V2V2-F 2×0,75mm², H05V2V2H2-F 2×0,75mm²,
H03V2V2H2-F 2×0,75mm²),

YC-13L 2,5A 250V~ (provided with H03VVH2-F 2×0,75mm²,
H05VVH2-F 2×0,75mm², H03VV-F 2×0,75mm²,
H05VV-F 2×0,75mm², H03V2V2-F 2×0,75mm²,
H05V2V2-F 2×0,75mm², H05V2V2H2-F 2×0,75mm²,
H03V2V2H2-F 2×0,75mm²)



中国认可
国际互认
检测
TESTING
CNAS L0096



Signed by:



Xie Hailiang

Date of Issue: Mar. 3rd 2021

Vkan Certification & Testing Co., Ltd.

No. 3, Tiantaiyi Road, Kaitai Avenue, Science City, Guangzhou, 510663, P.R.China

Tel.: +86-20-32293888, Fax: +86-20-32293889 E-mail: office@cvc.org.cn

www.cvc.org.cn

LTC-C-0041-UKCA-G0

ZEICHENGENEHMIGUNG MARKS APPROVAL

Yung-Li Co. Ltd.
Da Pu Industrial Zone, Cang Zi
Chang Ping Town
523571 DONG GUAN CITY
Guangdong
CHINA

ist berechtigt, für ihr Produkt /
is authorized to use for their product

Starkstromleitungen für allgemeine Anwendungen
- Flexible Leitungen
mit thermoplastischer PVC-Isolierung
Cables for general applications
- Flexible cables with
thermoplastic PVC insulation

die hier abgebildeten markenrechtlich geschützten Zeichen
für die ab Blatt 2 aufgeführten Typen zu benutzen /
the legally protected Marks as shown below for the types referred to on page 2 ff.

◁VDE▷ oder/or ◁▷⊠▷ oder/or  schwarz
black rot
red

Geprüft und zertifiziert nach /
Tested and certified according to

DIN EN 50525-2-11 (VDE 0285-525-2-11):2012-01; EN 50525-2-11:2011



Aktenzeichen: 1609800-5140-0005 / 211124

File ref.:

Ausweis-Nr. 40010145

Blatt 1

Certificate No.

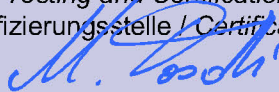
Page

Weitere Bedingungen siehe Rückseite und Folgeblätter /
further conditions see overleaf and following pages

Offenbach, 2004-04-27

(letzte Änderung / updated 2015-05-26)

VDE Prüf- und Zertifizierungsinstitut GmbH
VDE Testing and Certification Institute
Zertifizierungsstelle / Certification



M. Tasotti

VDE Zertifikate sind nur gültig bei Veröffentlichung unter:
VDE certificates are valid only when published on:

<http://www.vde.com/zertifikat>
<http://www.vde.com/certificate>

Name und Sitz des Genehmigungs-Inhabers / *Name and registered seat of the Certificate holder*

Yung-Li Co. Ltd., Da Pu Industrial Zone, Cang Zi, Chang Ping Town, 523571 DONG GUAN CITY, Guangdong, CHINA

Aktenzeichen / *File ref.*

1609800-5140-0005 / 211124 / CC5 / HEG

letzte Änderung / *updated*

2015-05-26

Datum / *Date*

2004-04-27

Dieses Blatt gilt nur in Verbindung mit Blatt 1 des Zeichengenehmigungsausweises Nr. 40010145.

This supplement is only valid in conjunction with page 1 of the Certificate No. 40010145.

Starkstromleitungen für allgemeine Anwendungen - Flexible Leitungen mit thermoplastischer PVC-Isolierung *Cables for general applications - Flexible cables with thermoplastic PVC insulation*

Typ(en) / *Type(s)*

H03VV-F 2...4 x 0,5...0,75 mm ²	+
H03VVH2-F 2 x 0,5...0,75 mm ²	+
H05VV-F 2...5 x 0,75...4 mm ²	+
H05VVH2-F 2 x 0,75...1,0 mm ²	+

Leitungsbauart
Type of cable

Standardleitungen
General purpose cables

Firmenzeichen
Trademark

Yung Li Co., Ltd.

Dieser Zeichengenehmigungs-Ausweis bildet eine Grundlage für die EG-Konformitätserklärung und CE-Kennzeichnung durch den Hersteller oder dessen Bevollmächtigten und bescheinigt die Konformität mit den grundlegenden Schutzanforderungen der **EG-Niederspannungsrichtlinie 2006/95/EG** mit ihren Änderungen.
*This Marks Approval is a basis for the EC Declaration of Conformity and the CE Marking by the manufacturer or his agent and proves the conformity with the essential safety requirements of the **EC Low-Voltage Directive 2006/95/EC** including amendments.*

VDE Prüf- und Zertifizierungsinstitut GmbH
VDE Testing and Certification Institute
Fachgebiet CC5
Section CC5

VDE Prüf- und Zertifizierungsinstitut Zeichengenehmigung

Ausweis-Nr. / Beiblatt /
Certificate No. Supplement
40010145

Name und Sitz des Genehmigungs-Inhabers / *Name and registered seat of the Certificate holder*

Yung-Li Co. Ltd., Da Pu Industrial Zone, Cang Zi, Chang Ping Town, 523571 DONG GUAN CITY, Guangdong, CHINA

Aktenzeichen / *File ref.*

1609800-5140-0005 / 211124 / CC5 / HEG

letzte Änderung / *updated*

2015-05-26

Datum / *Date*

2004-04-27

Dieses Beiblatt ist Bestandteil des Zeichengenehmigungsausweises Nr. 40010145.

This supplement is part of the Certificate No. 40010145.

Starkstromleitungen für allgemeine Anwendungen - Flexible Leitungen mit thermoplastischer PVC-Isolierung *Cables for general applications - Flexible cables with thermoplastic PVC insulation*

Fertigungsstätte(n)

Place(s) of manufacture

Referenz/*Reference*

30008928

Yung-Li Co. Ltd.

Da Pu Industrial Zone, Cang Zi

Chang Ping Town

523571 DONG GUAN CITY

Guangdong

CHINA

VDE Prüf- und Zertifizierungsinstitut GmbH

VDE Testing and Certification Institute

Fachgebiet CC5

Section CC5

Name und Sitz des Genehmigungs-Inhabers / *Name and registered seat of the Certificate holder*

Yung-Li Co. Ltd., Da Pu Industrial Zone, Cang Zi, Chang Ping Town, 523571 DONG GUAN CITY, Guangdong, CHINA

Aktenzeichen / *File ref.*

1609800-5140-0005 / 211124 / CC5 / HEG

letzte Änderung / *updated*

2015-05-26

Datum / *Date*

2004-04-27

Dieses Blatt gilt nur in Verbindung mit Blatt 1 des Zeichengenehmigungsausweises Nr. 40010145.

This supplement is only valid in conjunction with page 1 of the Certificate No. 40010145.

Genehmigung zum Benutzen des auf Seite 1 abgebildeten markenrechtlich geschützten Zeichens des VDE:

Grundlage für die Benutzung sind die Allgemeinen Geschäftsbedingungen (AGB) der VDE Prüf- und Zertifizierungsinstitut GmbH (www.vde.com\AGB-Institut). Das Recht zur Benutzung erstreckt sich nur auf die bezeichnete Firma mit den genannten Fertigungsstätten und die oben aufgeführten Produkte mit den zugeordneten Bezeichnungen. Die Fertigungsstätte muss so eingerichtet sein, dass eine gleichmäßige Herstellung der geprüften und zertifizierten Ausführung gewährleistet ist.

Die Genehmigung ist so lange gültig wie die VDE-Bestimmungen gelten, die der Zertifizierung zugrunde gelegen haben, sofern sie nicht auf Grund anderer Bedingungen aus der VDE Prüf- und Zertifizierungsordnung (PM102) zurückgezogen werden muss.

Der Gültigkeitszeitraum einer VDE-GS-Zeichengenehmigung kann auf Antrag verlängert werden. Bei gesetzlichen und / oder normativen Änderungen kann die VDE-GS-Zeichengenehmigung ihre Gültigkeit zu einem früheren als dem angegebenen Datum verlieren.

Produkte, die das Biozid Dimethylfumarat (DMF) enthalten, dürfen gemäß der Kommissionsentscheidung 2009/251/EG nicht mehr in den Verkehr gebracht oder auf dem Markt bereitgestellt werden.

Der VDE-Zeichengenehmigungsausweis wird ausschließlich auf der ersten Seite unterzeichnet.

Approval to use the legally protected Mark of the VDE as shown on the first page:

Basis for the use are the general terms and conditions of the VDE Testing and Certification Institute (www.vde.com\terms-institute). The right to use the mark is granted only to the mentioned company with the named places of manufacture and the listed products with the related type references. The place of manufacture shall be equipped in a way that a constant manufacturing of the certified construction is assured.

The approval is valid as long as the VDE specifications are in force, on which the certification is based on, unless it is withdrawn according to the VDE Testing and Certification Procedure (PM102E).

The validity period of a VDE-GS-Mark Approval may be prolonged on request. In case of changes in legal and / or normative requirements, the validity period of a VDE-GS-Mark Approval may be shortened.

Products containing the biocide dimethylfumarate (DMF) may not be marketed or made available on the EC market according to the Commission Decision 2009/251/EC.

The approval is solely signed on the first page.